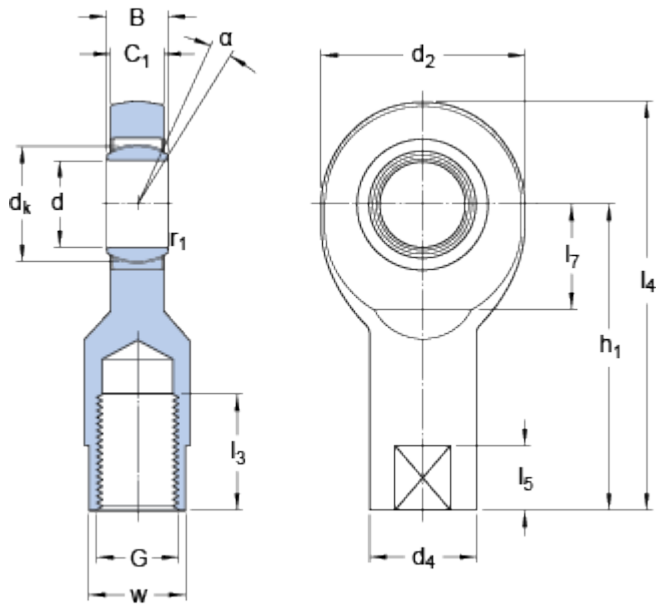


SI 17 C

Dimensions



d		17	mm
d ₂	max.	47	mm
B		14	mm
G	6H	M 16	
C ₁	max.	11.5	mm
h ₁		67	mm
α		10	°
d _k		25	mm
d ₄	≈	25	mm
l ₃	min.	24	mm
l ₄	max.	92	mm
l ₅	≈	15	mm
l ₇	min.	22	mm
w	h14	22	mm
r ₁	min.	0.3	mm

Calculation data

Basic dynamic load rating	C	22.4	kN
Basic static load rating	C ₀	44	kN
Specific dynamic load factor	K	100	N/mm ²
Material constant	K _M	1400	

Mass

Mass rod end	0.25	kg
--------------	------	----